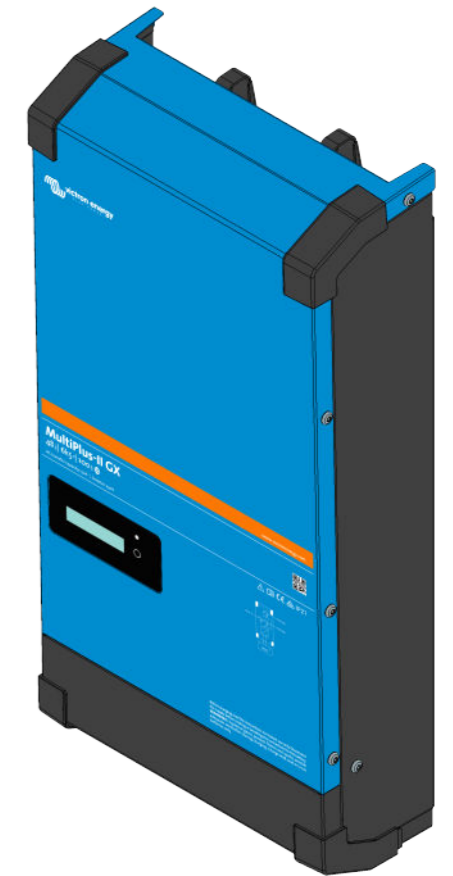
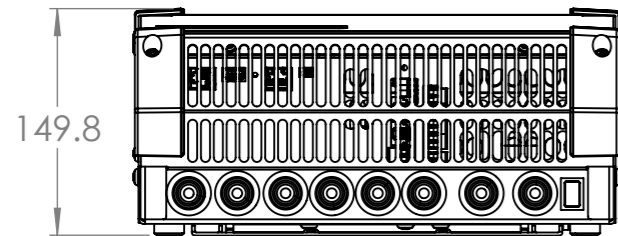
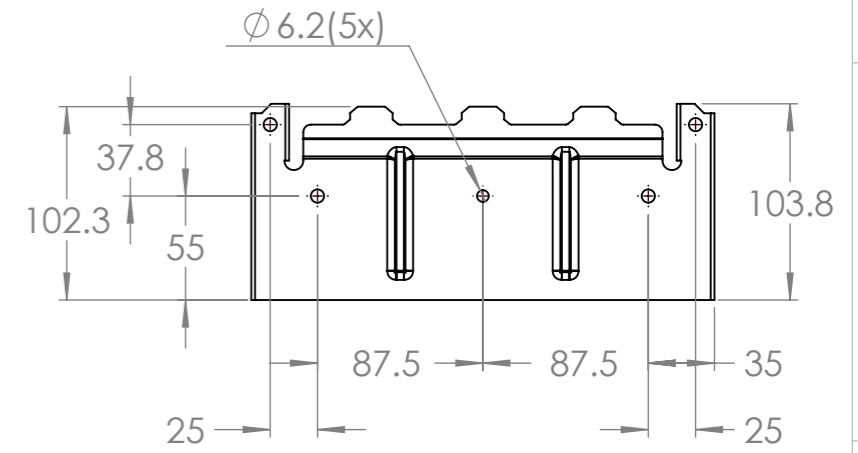
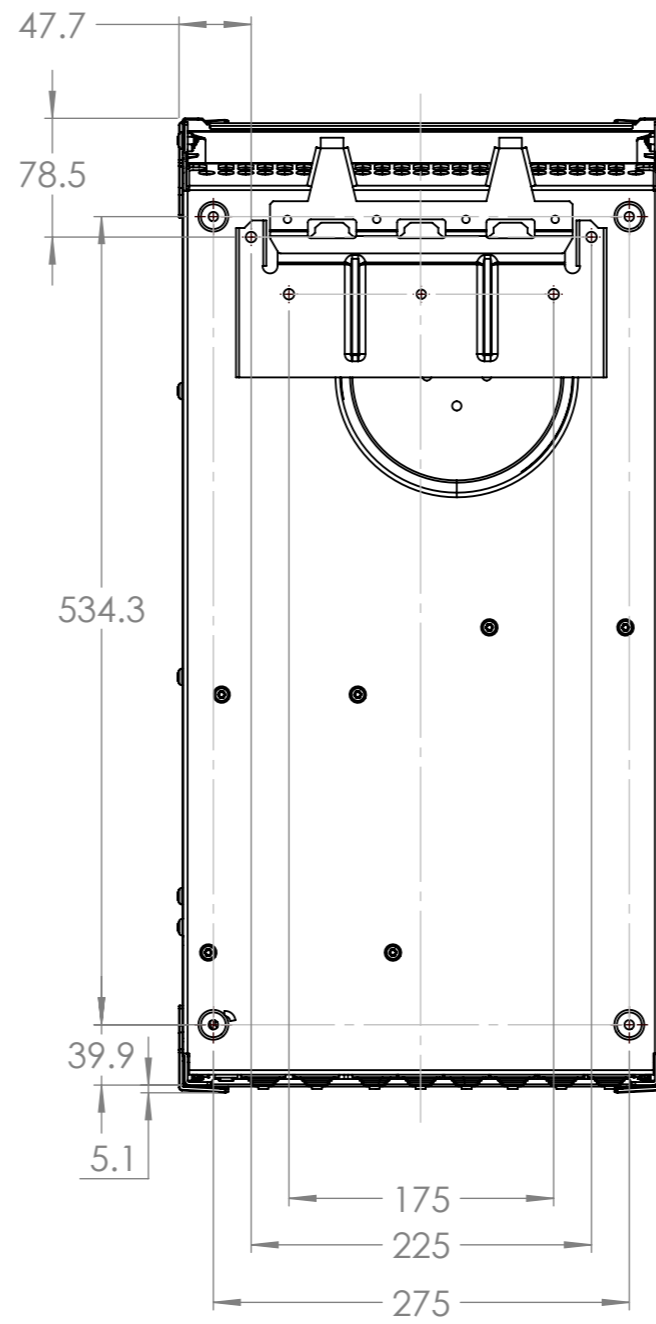
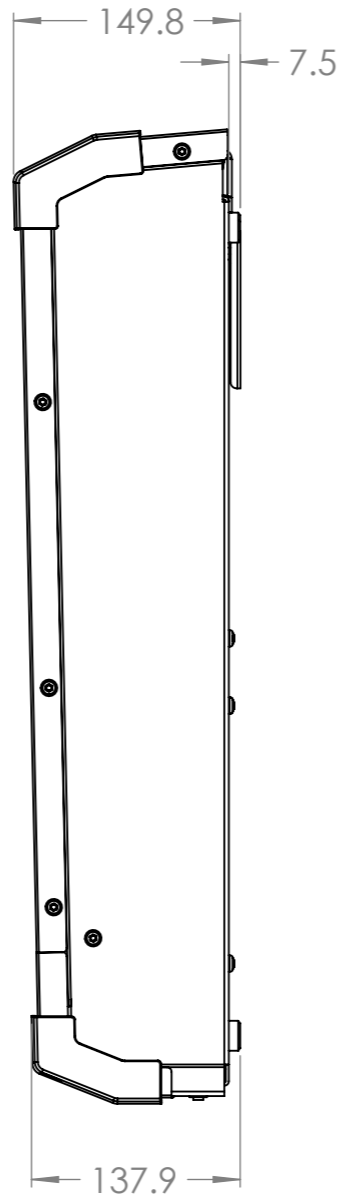
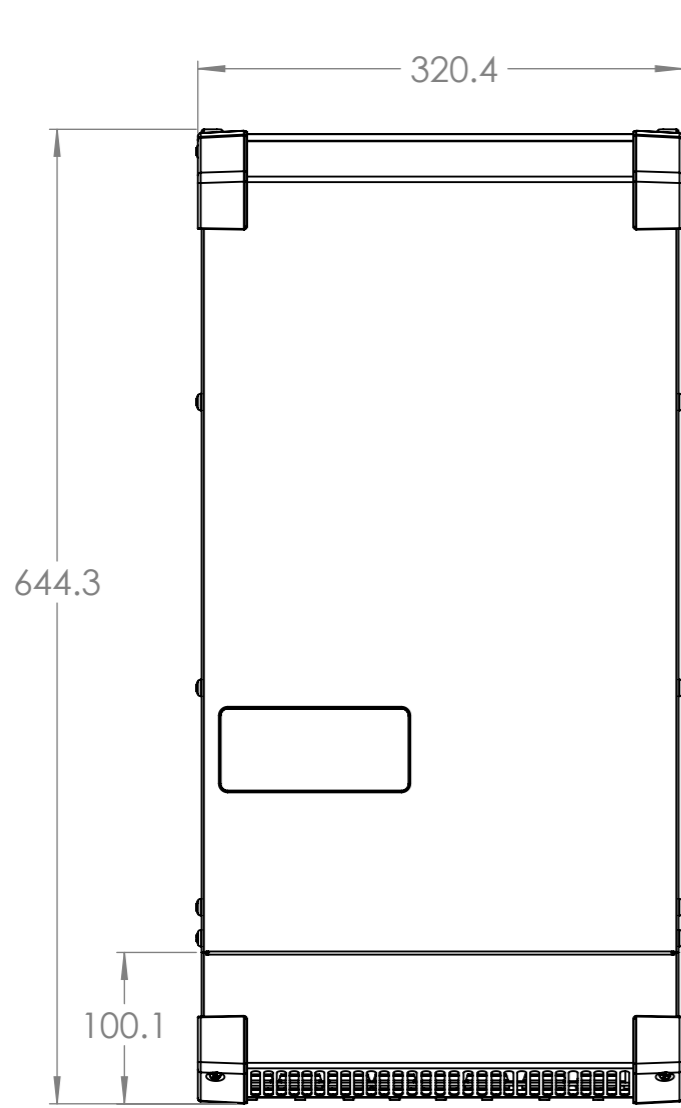


Dimension Drawing - MultiPlus-II GX
 PMP482606000 MultiPlus-II 48/6k5/100-50 230V GX



Dimensions in mm

