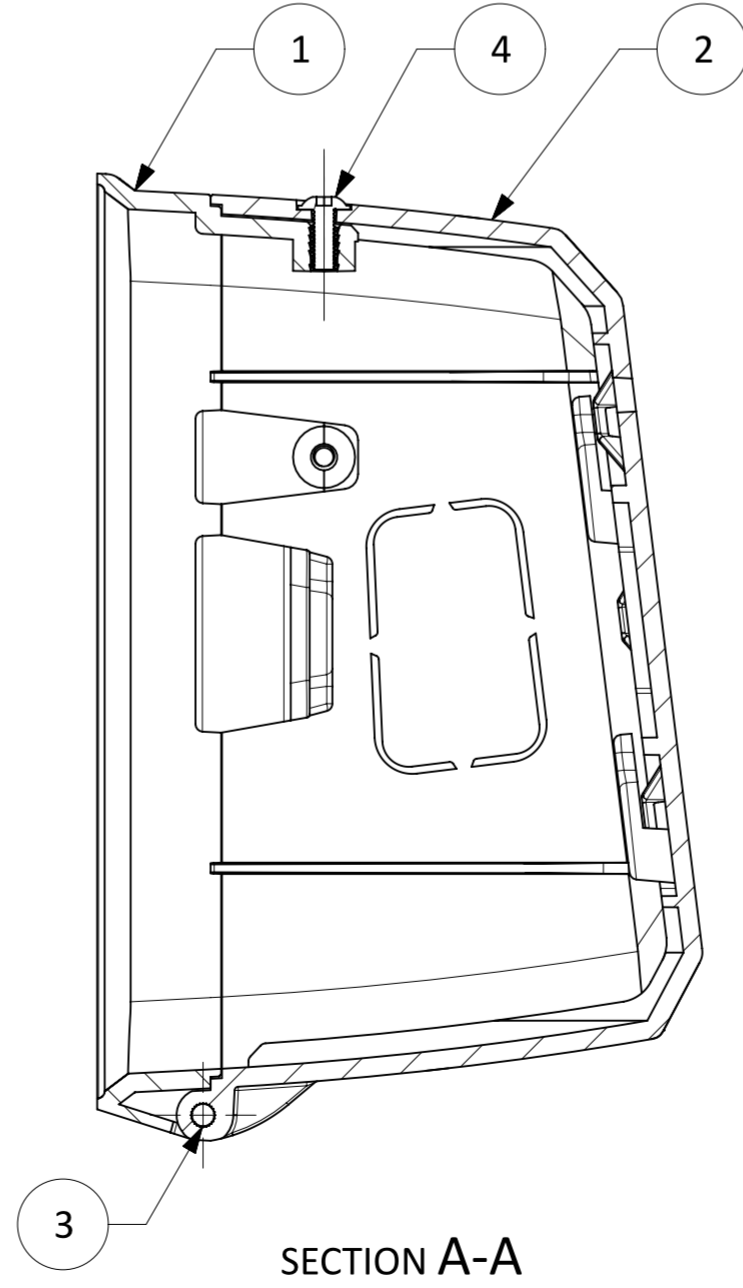
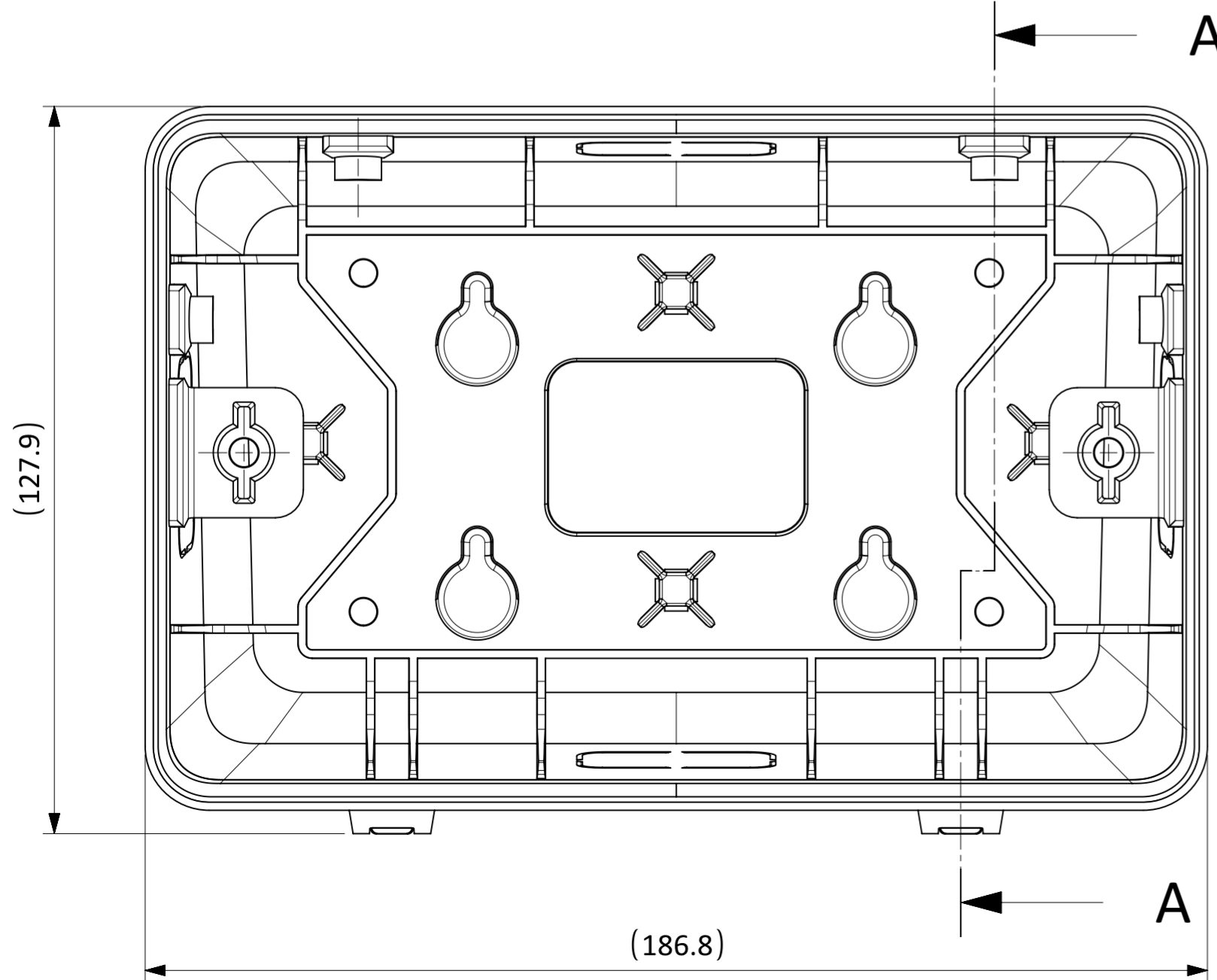
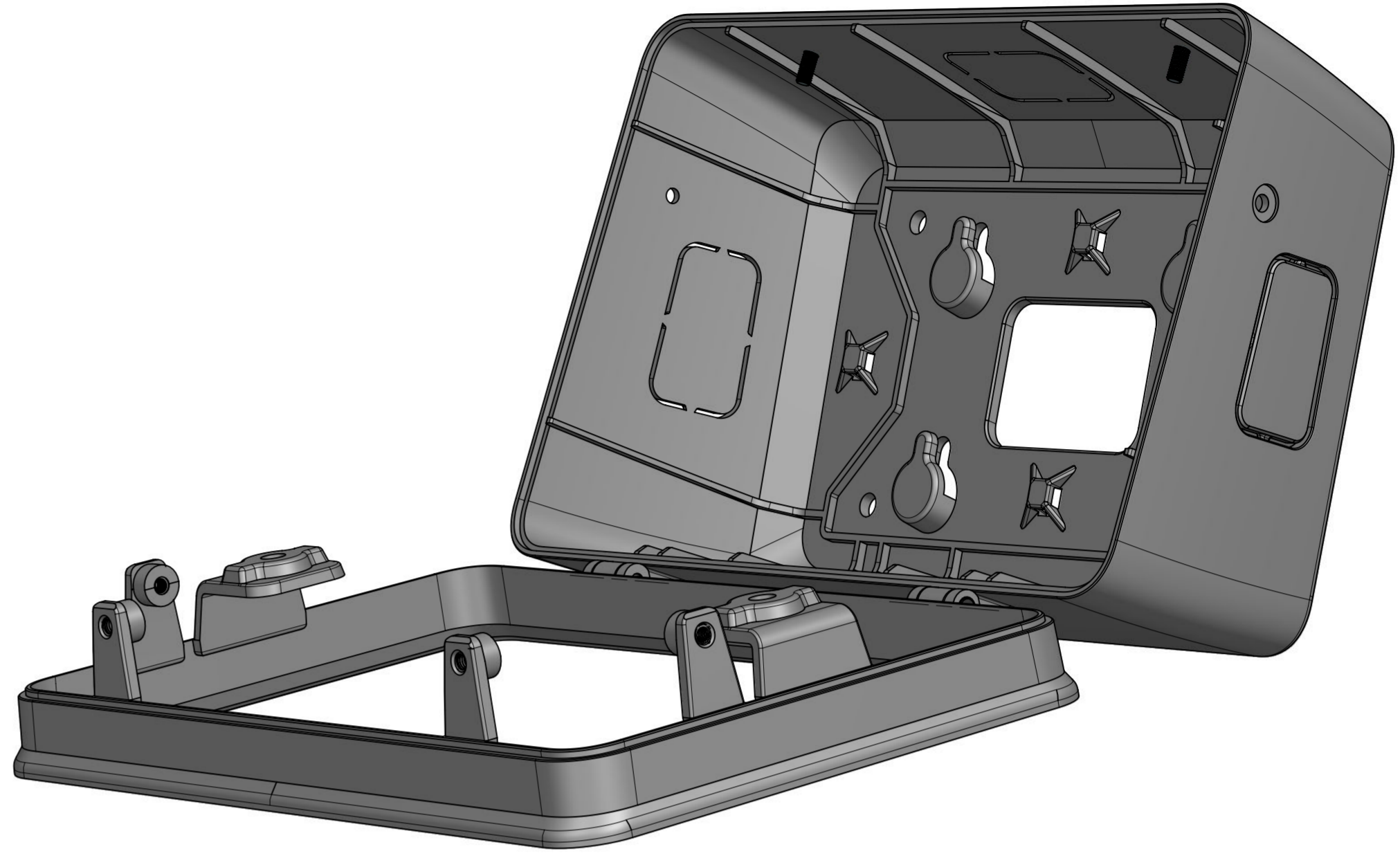
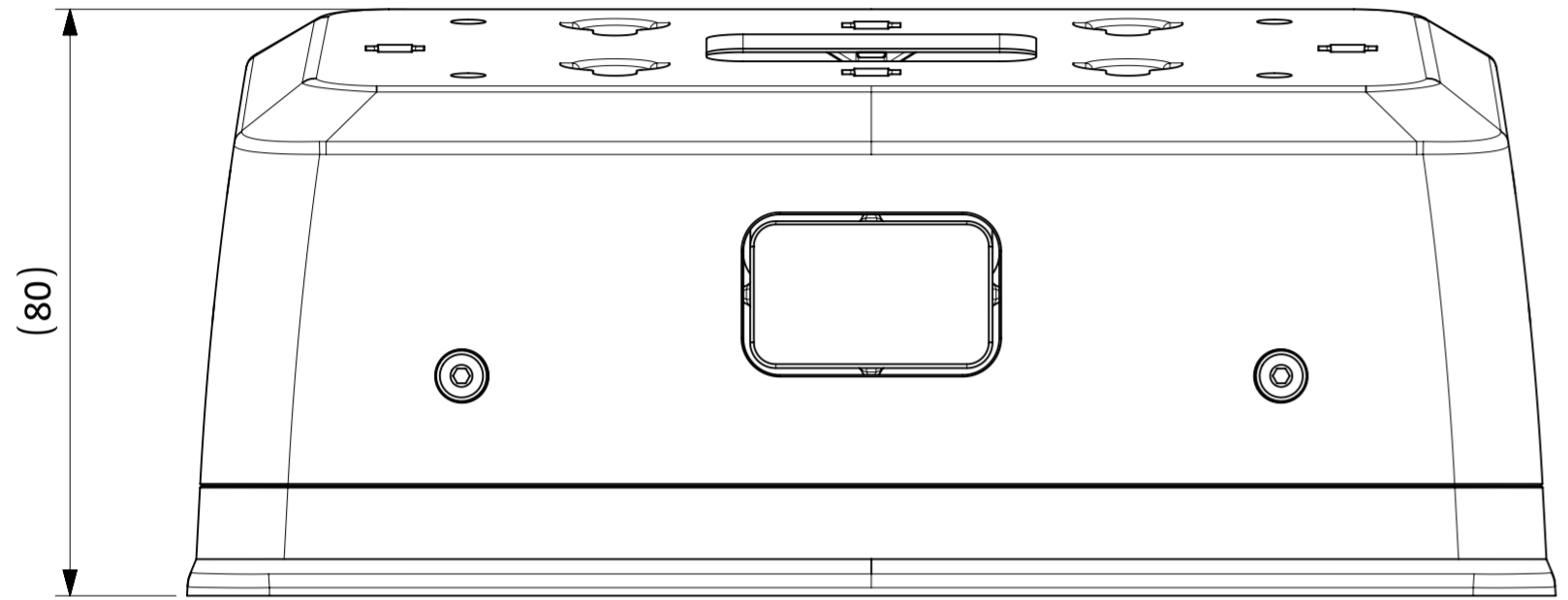


Revision:	Description revision:	Date (yyyy-mm-dd):	Revised by:	Checked:
-	-	-	-	-



PC NO	PART NAME	QTY
4	SCREW M3X8 ISO7380-2-STZN	2
3	EKRANO WALLBOX AXLE_A_20240717	2
2	EKRANO WALLBOX BACK HOUSING_A_20240717	1
1	EKRANO WALLBOX FRONT HOUSING_A_20240717	1

Part name: <b>assy Wallbox</b>	Material: <b>as specified in part drawing</b>	Date (yyyy-mm-dd): <b>2024-07-17</b>	Drawn by: <b>DZ</b>	Checked: -
Part number: -	Colour: <b>as specified in part drawing</b>	Size: <b>A2</b>	Scale: <b>1:1</b>	Units: <b>mm</b>
Project: <b>Ekran Wallbox</b>	Treatment: -	Status: <input type="radio"/> For information only <input checked="" type="radio"/> Released for tooling <input type="radio"/> Released for production		
	Not indicated tolerances:	Document name: <b>_Assy Ekran Wallbox_A_20240717</b>		
	Dim: ±-    Angle: ±-°    Standard:	3D CAD reference: <b>_Assy Ekran Wallbox_A_20240717</b>		
	Three dimensional CAD data is final reference for dimensions and surfaces			Revision: <b>A</b>
Materials should comply to 2011/65/EU, its appendices and its successive amendments			3rd angle projection	Pezy Group: <b>0204008</b>

This drawing is Pezy Group property. Copying it using any technique or making it accessible to other firms or persons without Pezy Group permission is forbidden.